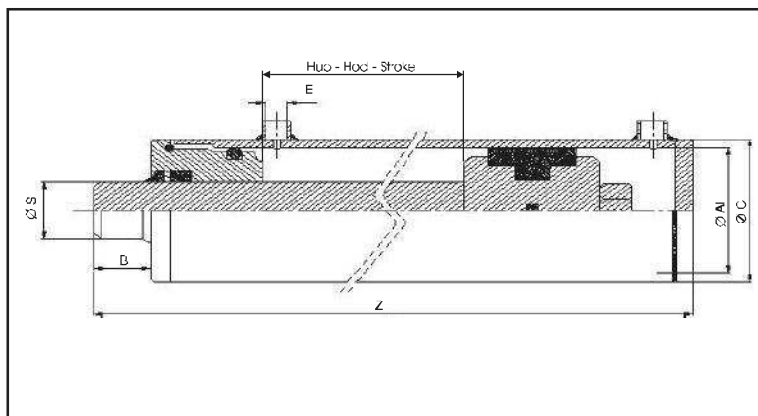


**DOPPELTWIRKENDERZYLINDER - TYP "HMO"**  
**DVOSTRANSKO DELUJOČI CILINDER - TIP "HMO"**  
**DOUBLE ACTING CYLINDER - "HMO" TYPE**



Kolbengeschwindigkeit  
 Hitrost bata max. 25 m/min.  
 Piston speed:  
 Temperaturbereich  
 Temp. območje -25°C +80°C  
 Temperature range:  
 Höchstdruck  
 Maks. tlak 200 bar  
 Max peak pressure:  
 Rohr - Cev - Tube: DIN 2393 - ISO H9  
**Kolbenstange - Batnica - Rod**  
 Stahl - Jeklo - Steel: UNI C45  
 Verchromed - Kromirano - Chromium plated: 25 (±5) µm

**Kolben - Bat - Piston 25**

**Kolbenstange - Batnica - Bore 16**

Bestell Koda Code	Ø AI	Ø S	Hub Hod Stroke	Z	B	Ø C	E
HM0025160050	25	16	50	135	17	35	1/4"
HM0025160100	"	"	100	185	"	"	"
HM0025160150	"	"	150	235	"	"	"
HM0025160200	"	"	200	285	"	"	"

**Kolben - Bat - Piston 30**

**Kolbenstange - Batnica - Bore 16**

Bestell Koda Code	Ø AI	Ø S	Hub Hod Stroke	Z	B	Ø C	E
HM0030160050	30	16	50	150	18	40	1/4"
HM0030160100	"	"	100	200	"	"	"
HM0030160150	"	"	150	250	"	"	"
HM0030160200	"	"	200	300	"	"	"
HM0030160250	"	"	250	350	"	"	"
HM0030160300	"	"	300	400	"	"	"
HM0030160400	"	"	400	500	"	"	"
HM0030160500	"	"	500	600	"	"	"

**Kolben - Bat - Piston 40**

**Kolbenstange - Batnica - Bore 20, 25**

Bestell Koda Code	Ø AI	Ø S	Hub Hod Stroke	Z	B	Ø C	E
HM01200100	40	20	100	230	22	50	1/4"
HM01**0150	"	20/25	150	280	"	"	"
HM01**0200	"	20/25	200	330	"	"	"
HM01**0250	"	20/25	250	380	"	"	"
HM01**0300	"	20/25	300	430	"	"	"
HM01**0350	"	20/25	350	480	"	"	"
HM01**0400	"	20/25	400	530	"	"	"
HM01**0450	"	20/25	450	580	"	"	"
HM01**0500	"	20/25	500	630	"	"	"
HM01250550	"	25	550	680	"	"	"
HM01250600	"	25	600	730	"	"	"

\*\* Kolbenstangedurchm. angeben - Določite premer batnice - Specify the rod diameter

STANDARDZYLINDER SIND AUF ANFRAGE MIT ANGESCHWEISSTEN BEFESTIGUNGEN KURZFRISTIG LIEFERBAR  
 STANDARDNE CILINDRE Z VPENJALNIMI PRIKLJUČKI IZDELAMO PO NAROČILU S KRATKIM DOBAVNIM ROKOM  
 STANDARD CYLINDERS WITH WELDED ENDS ARE DELIVERED ON REQUEST IN SHORT DELIVERY TIME

**DOPPELTWIRKENDERZYLINDER - TYP "HMO"**  
**DVOSTRANSKO DELUJOČI CILINDER - TIP "HMO"**  
**DOUBLE ACTING CYLINDER - "HMO" TYPE**

**Kolben - Bat - Piston 50**

**Kolbenstange - Batnica - Rod 25, 30**

Bestell Koda Code	Ø AI	Ø S	Z	Hub Hod Stroke	B	Ø C	E
HM02250100	50	25	240	100	22	60	3/8"
HM02**0150	"	25/30	290	150	"	"	"
HM02**0200	"	25/30	340	200	"	"	"
HM02**0250	"	25/30	390	250	"	"	"
HM02**0300	"	25/30	440	300	"	"	"
HM02**0350	"	25/30	490	350	"	"	"
HM02**0400	"	25/30	540	400	"	"	"
HM02**0450	"	25/30	590	450	"	"	"
HM02**0500	"	25/30	640	500	"	"	"
HM02**0550	"	25/30	690	550	"	"	"
HM02**0600	"	25/30	740	600	"	"	"
HM02**0800	"	25/30	940	800	"	"	"
HM02**1000	"	25/30	1140	1000	"	"	"

\*\* Kolbenstangedurchm. angeben - Določite premer batnice - Specify the rod diameter

**Kolben - Bat - Piston 60**

**Kolbenstange - Batnica - Rod 30, 35**

Bestell Koda Code	Ø AI	Ø S	Z	Hub Hod Stroke	B	Ø C	E
HM03**0100	60	30/35	260	100	23	70	3/8"
HM03**0150	"	30/35	310	150	"	"	"
HM03**0200	"	30/35/40	360	200	"	"	"
HM03**0250	"	30/35/40	410	250	"	"	"
HM03**0300	"	30/35/40	460	300	"	"	"
HM03**0350	"	30/35/40	510	350	"	"	"
HM03**0400	"	30/35/40	560	400	"	"	"
HM03**0450	"	30/35/40	610	450	"	"	"
HM03**0500	"	30/35/40	660	500	"	"	"
HM03**0550	"	30/35/40	710	550	"	"	"
HM03**0600	"	30/35/40	760	600	"	"	"
HM03**0800	"	30/35/40	960	800	"	"	"
HM03**1000	"	30/35/40	1160	1000	"	"	"

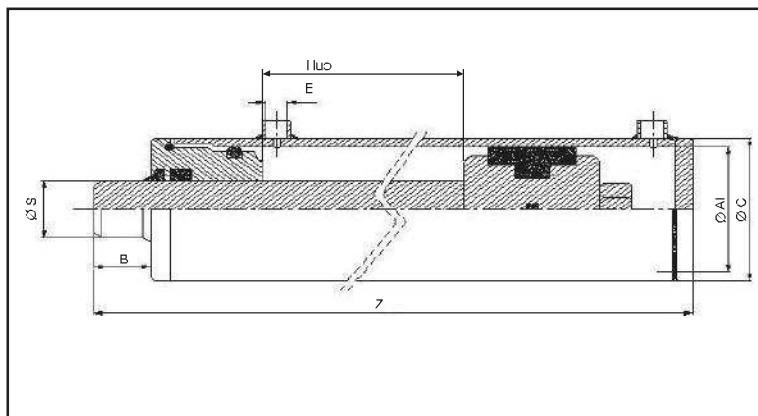
\*\* Kolbenstangedurchm. angeben - Določite premer batnice - Specify the rod diameter

**Kolben - Bat - Piston 63**

**Kolbenstange - Batnica - Rod 40**

Bestell Koda Code	Ø AI	Ø S	Z	Hub Hod Stroke	B	Ø C	E
HM0063400200	63	40	360	200	23	73	3/8"
HM0063400250	"	40	410	250	"	"	"
HM0063400300	"	40	460	300	"	"	"
HM0063400350	"	40	510	350	"	"	"
HM0063400400	"	40	560	400	"	"	"
HM0063400450	"	40	610	450	"	"	"
HM0063400500	"	40	660	500	"	"	"
HM0063400550	"	40	710	550	"	"	"
HM0063400600	"	40	760	600	"	"	"
HM0063400800	"	40	960	800	"	"	"
HM0063401000	"	40	1160	1000	"	"	"

**DOPPELTWIRKENDERZYLINDER - TYP "HMO"**  
**DVOSTRANSKO DELUJOČI CILINDER - TIP "HMO"**  
**DOUBLE ACTING CYLINDER - "HMO" TYPE**



Kolbengeschwindigkeit  
Hitrost bata max. 25 m/min.  
Piston speed:

Temperaturbereich  
Temp. območje -25°C +80°C  
Temperature range:

Höchstdruck  
Maks. tlak 200 bar  
Max peak pressure:

Rohr - Cev - Tube: DIN 2393 - ISO H9

**Kolbenstange - Batnica - Rod**

Stahl - Jeklo - Steel: UNI C45  
Verchromet - Kromirano - Chromium plated: 25 (±5) µm

**Kolben - Bat - Piston 70**

**Kolbenstange - Batnica - Rod 35, 40**

Bestell Koda Code	Ø AI	Ø S	Z	Hub Hod Stroke	B	Ø C	E
HMO4350100	70	35	260	100	23	80	3/8"
HMO4350150	"	35	310	150	"	"	"
HMO4** 0200	"	35/40	360	200	"	"	"
HMO4** 0250	"	35/40	410	250	"	"	"
HMO4** 0300	"	35/40	460	300	"	"	"
HMO4** 0350	"	35/40	510	350	"	"	"
HMO4** 0400	"	35/40	560	400	"	"	"
HMO4** 0450	"	35/40	610	450	"	"	"
HMO4** 0500	"	35/40	660	500	"	"	"
HMO4** 0550	"	35/40	710	550	"	"	"
HMO4** 0600	"	35/40	760	600	"	"	"
HMO4** 0800	"	35/40	960	800	"	"	"
HMO4** 1000	"	35/40	1160	1000	"	"	"

\*\* Kolbenstangedurchm. angeben - Določite premer batnice - Specify the rod diameter

**Kolben - Bat - Piston 80**

**Kolbenstange - Batnica - Rod 40, 50**

Bestell Koda Code	Ø AI	Ø S	Z	Hub Hod Stroke	B	Ø C	E
HMO5** 0200	80	40/50	380	200	25	92	1/2"
HMO5** 0250	"	40/50	430	250	"	"	"
HMO5** 0300	"	40/50	480	300	"	"	"
HMO5** 0400	"	40/50	580	400	"	"	"
HMO5** 0500	"	40/50	680	500	"	"	"
HMO5** 0600	"	40/50	780	600	"	"	"
HMO5** 0800	"	40/50	980	800	"	"	"
HMO5** 1000	"	40/50	1180	1000	"	"	"

**Kolben - Bat - Piston 100**

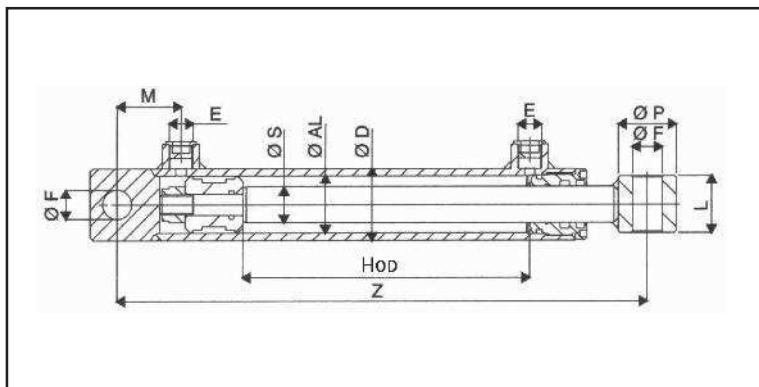
**Kolbenstange - Batnica - Rod 50, 60**

Bestell Koda Code	Ø AI	Ø S	Z	Hub Hod Stroke	B	Ø C	E
HMO6** 0200	100	50	410	200	25	115	1/2"
HMO6** 0250	"	50	460	250	"	"	"
HMO6** 0300	"	50/60	510	300	"	"	"
HMO6** 0400	"	50/60	610	400	"	"	"
HMO6** 0500	"	50/60	710	500	"	"	"
HMO6** 0600	"	50/60	810	600	"	"	"
HMO6** 0800	"	50/60	1010	800	"	"	"
HMO6** 1000	"	50/60	1210	1000	"	"	"

\*\* Kolbenstangedurchmesse angeben - Določite premer batnice - Specify the rod diameter

STANDARDZYLINDER SIND AUF ANFRAGE MIT ANGESCHWEISSTEN BEFESTIGUNGEN KURZFRISTIG LIEFERBAR  
 STANDARDNE CILINDRE Z OBDELANIMI PRIKLJUČKI IZDELAMO PO NAROČILU S KRATKIM DOBAVNIM ROKOM  
 STANDARD CYLINDERS WITH WELDED ENDS ARE DELIVERED ON REQUEST IN SHORT DELIVERY TIME

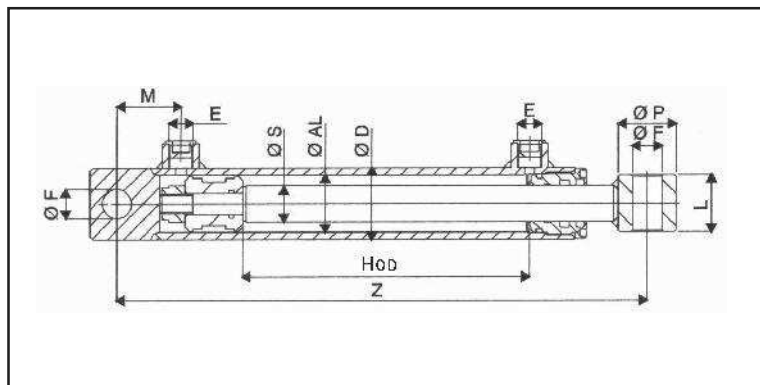
**DOPPELTWIRKENDERZYLINDER - TYP "HFR"**  
**DVOSTRANSKO DELUJOČI CILINDER - TIP "HFR"**  
**DOUBLE ACTING CYLINDER - "HFR" TYPE**



Kolbengeschwindigkeit  
 Hitrost bata max. 25 m/min.  
 Piston speed:  
 Temperaturbereich  
 Temp. območje -25°C +80°C  
 Temperature range:  
 Höchstdruck  
 Maks. tlak 200 bar  
 Max peak pressure:  
 Rohr - Cev - Tube: DIN 2393 - ISO H9  
**Kolbenstange - Batnica - Rod**  
 Stahl - Jeklo - Steel: UNI C45  
 Verchromed - Kromirano - Chromium plated: 25 (±5) µm

Bestell Koda Code	Ø D	Ø AL	Ø S	Hub Hod Stroke	Z	E	M	L	Ø P	Ø F
HFR0160050	35	25	16	50	160	1/4"	22	25	25	12,1
HFR0160100	"	"	"	100	210	"	"	"	"	"
HFR0160150	"	"	"	150	260	"	"	"	"	"
HFR0160200	"	"	"	200	310	"	"	"	"	"
HFR1160050	40	30	16	50	170	1/4"	35	35	30	14
HFR1160100	"	"	"	100	220	"	"	"	"	"
HFR1160150	"	"	"	150	270	"	"	"	"	"
HFR1160200	"	"	"	200	320	"	"	"	"	"
HFR1160250	"	"	"	250	370	"	"	"	"	"
HFR1160300	"	"	"	300	420	"	"	"	"	"
HFR1160400	"	"	"	400	420	"	"	"	"	"
HFR1160500	"	"	"	500	620	"	"	"	"	"
HFR1250100	50	40	25	100	270	1/4"	45	40	40	20,5
HFR1250150	"	"	"	150	320	"	"	"	"	"
HFR1250200	"	"	"	200	370	"	"	"	"	"
HFR1250250	"	"	"	250	420	"	"	"	"	"
HFR1250300	"	"	"	300	470	"	"	"	"	"
HFR1250400	"	"	"	400	570	"	"	"	"	"
HFR1250500	"	"	"	500	670	"	"	"	"	"
HFR1250600	"	"	"	600	770	"	"	"	"	"
HFR1250700	"	"	"	700	870	"	"	"	"	"
HFR1250800	"	"	"	800	970	"	"	"	"	"
HFR2300100	60	50	30	100	300	3/8"	58	45	50	25,5
HFR2300150	"	"	"	150	350	"	"	"	"	"
HFR2300200	"	"	"	200	400	"	"	"	"	"
HFR2300250	"	"	"	250	450	"	"	"	"	"
HFR2300300	"	"	"	300	500	"	"	"	"	"
HFR2300400	"	"	"	400	600	"	"	"	"	"
HFR2300500	"	"	"	500	700	"	"	"	"	"
HFR2300600	"	"	"	600	800	"	"	"	"	"
HFR2300700	"	"	"	700	900	"	"	"	"	"
HFR2300800	"	"	"	800	1000	"	"	"	"	"
HFR3300100	70	60	30	100	300	3/8"	50	45	50	25,5
HFR3300150	"	"	"	150	350	"	"	"	"	"
HFR3300200	"	"	"	200	400	"	"	"	"	"
HFR3300250	"	"	"	250	450	"	"	"	"	"
HFR3300300	"	"	"	300	500	"	"	"	"	"
HFR3300350	"	"	"	350	550	"	"	"	"	"
HFR3300400	"	"	"	400	600	"	"	"	"	"
HFR3300450	"	"	"	450	650	"	"	"	"	"
HFR3300500	"	"	"	500	700	"	"	"	"	"
HFR3300600	"	"	"	600	800	"	"	"	"	"
HFR3300700	"	"	"	700	900	"	"	"	"	"
HFR3350200	70	60	35	200	400	3/8"	50	45	50	25,5
HFR3350300	"	"	"	300	500	"	"	"	"	"
HFR3350400	"	"	"	400	600	"	"	"	"	"
HFR3350500	"	"	"	500	700	"	"	"	"	"
HFR3350600	"	"	"	600	800	"	"	"	"	"
HFR3350700	"	"	"	700	900	"	"	"	"	"
HFR4400200	80	70	40	200	410	3/8"	58	55	50	30,5
HFR4400250	"	"	"	250	460	"	"	"	"	"
HFR4400300	"	"	"	300	510	"	"	"	"	"
HFR4400350	"	"	"	350	560	"	"	"	"	"
HFR4400400	"	"	"	400	610	"	"	"	"	"
HFR4400450	"	"	"	450	660	"	"	"	"	"

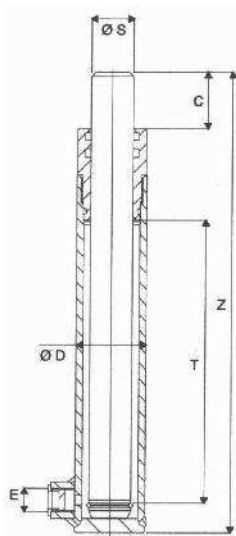
**DOPPELTWIRKENDERZYLINDER - TYP "HFR"**  
**DVOSTRANSKO DELUJOČI CILINDER - TIP "HFR"**  
**DOUBLE ACTING CYLINDER - "HFR" TYPE**



Kolbengeschwindigkeit  
 Hitrost bata max. 25 m/min.  
 Piston speed:  
 Temperaturbereich  
 Temp. območje -25°C +80°C  
 Temperature range:  
 Höchstdruck  
 Maks. tlak 200 bar  
 Max peak pressure:  
 Rohr - Cev - Tube: DIN 2393 - ISO H9  
**Kolbenstange - Batnica - Rod**  
 Stahl - Jeklo - Steel: UNI C45  
 Verchromed - Kromirano - Chromium plated: 25 (±5) µm

Bestell Koda Code	Ø D	Ø AL	Ø S	Hub Hod Stroke	Z	E	M	L	Ø P	Ø F
HFR5400200	92	80	40	200	410	1/2"	58	55	50	30,5
HFR5400250	"	"	"	250	460	"	"	"	"	"
HFR5400300	"	"	"	300	510	"	"	"	"	"
HFR5400350	"	"	"	350	560	"	"	"	"	"
HFR5400400	"	"	"	400	610	"	"	"	"	"
HFR5400500	"	"	"	500	710	"	"	"	"	"
HFR5400600	"	"	"	600	810	"	"	"	"	"
HFR5400700	"	"	"	700	910	"	"	"	"	"
HFR6500200	115	100	50	200	425	1/2"	50	70	65	30,5
HFR6500300	"	"	"	300	525	"	"	"	"	"
HFR6500400	"	"	"	400	625	"	"	"	"	"
HFR6500500	"	"	"	500	725	"	"	"	"	"

**PLUNGERZYLINDER - SERIE "HTO"**  
**ENOSTRANSKO DELUJOČI CILINDER - SERIJE "HTO"**  
**PLUNGER CYLINDER - "HTO" TYPE**



Bestell Koda Code	Ø S	Hub Hod Stroke	Z	C	T	Ø D	E
HTO2300200	30	200	326	40	253	50	3/8"
HTO2300250	"	250	376	"	303	"	"
HTO2300300	"	300	426	"	353	"	"
HTO2300350	"	350	476	"	403	"	"
HTO2300400	"	400	526	"	453	"	"
HTO2300500	"	500	626	"	553	"	"
HTO3400200	40	200	338	45	258	60	3/8"
HTO3400300	"	300	438	"	358	"	"
HTO3400400	"	400	538	"	458	"	"
HTO3400500	"	500	638	"	558	"	"
HTO3400600	"	600	738	"	658	"	"
HTO4500300	50	300	450	50	365	70	3/8"
HTO4500400	"	400	550	"	465	"	"
HTO4500500	"	500	650	"	565	"	"
HTO4500600	"	600	750	"	665	"	"